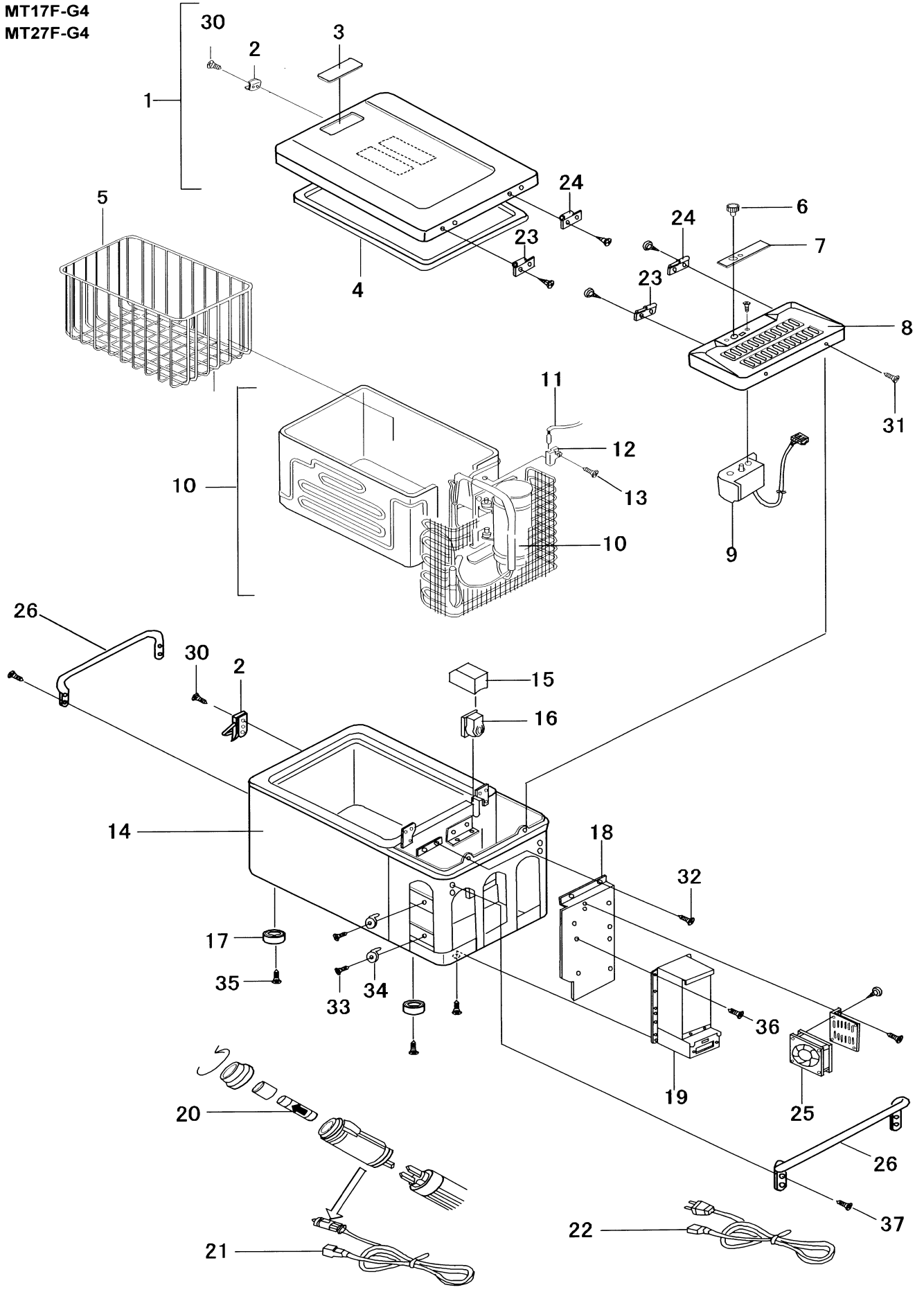


MT17F-G4
 MT27F-G4



Model : MT17F
MT27F

| Illustration Number | Japanese Part Number | Description | Australian Part Number |
|---------------------|----------------------|-----------------------------------|------------------------|
| 1 | 1600 542 00X9 | Door Assembly | 17DGREY |
| 2 | 6260 005 00X0 | Latch Assembly | 514DLA |
| 3 | 5450 076 30X9 | Engel Mark | MRFTDNP |
| 4 | 4148 008 10X9 | Gasket | 515DG |
| 5 - 1 | 5230 010 10X9 | Basket (15 Litre) | 515B |
| 5 - 2 | 5230 048 00X9 | Basket (21 Litre) | 525B |
| 6 | 1602 067 00X0 | Dial Assembly | TDK |
| 7 | 5450 261 12x9 | Mark (Thermostat) | 17TCP |
| 8 | 1602 052 11X9 | Cover Assembly | 17CCA |
| 9 | 1601 169 10x9 | Temperature Control Assembly | MTFTC |
| 10 | 1610 139 00X9 | Cooling Unit (MT17F & MT27F) | 17FCU |
| 11 | 6055 054 10x9 | Evaporator Thermistor | T515EVAP-E |
| 12 | 4223 050 00X0 | Holder | TH |
| 13 | 8080 042 0620 | Tapping Screw | |
| 14 - 1 | 1600 544 00X9 | Cabinet Assembly (MT17F) | 17CAB |
| 14 - 2 | 1600 546 00X9 | Cabinet Assembly (MT27F) | 27CAB |
| 15 | 4221 010 00X0 | Cover Pipe | 515EVAPPC |
| 16 | 4120 051 70X0 | Bushing | |
| 17 | 4120 058 00X0 | Cushion | |
| 18 - 1 | 1632 099 10X0 | Plate Assembly (MT17F) | |
| 18 - 2 | 1632 098 10X0 | Plate Assembly (MT27F) | |
| 19 | 1601 184 10X9 | Power Supply | PSMTF17 |
| 20 | 1603 002 00x8 | Special Thermal Fuse | 12VFUSE |
| 21 | 1912 404 00X9 | DC Cord Assembly | JCORD |
| 22 | 1912 133 60X9 | AC Cord Assembly | KCORD |
| 23 | 1609 345 20X0 | Hinge Assembly (Set, Short Pin) | 35/45FHAS |
| 24 | 1609 345 00X0 | Hinge Assembly (Set, Regular Pin) | 35/45FHA |
| 25 | 6080 007 30X9 | Motor Fan | 17FM |
| 26 | 3233 012 00X9 | Handle | 15CHGREY |
| | | Cushion Swing Motor Grommet | SMCG |
| | | Cushion Swing Motor Grommet Top | SMCGT |
| | | Speed Nut Swing Motor | SNSM |
| | | Evaporator | 515EVAP |
| | | Suction Pipe Assembly | 515SPA |

| | | | |
|----|---------------|---------|-------------|
| 30 | 8085 034 1020 | M3 x 10 | 514DLASCREW |
| 31 | 8080 043 1030 | M4 x 10 | |
| 32 | 8085 043 1220 | M4 x 12 | |
| 33 | 8071 043 1630 | M4 x 16 | |
| 34 | 3220 053 10X0 | Holder | |
| 35 | 8070 043 1850 | M4 x 18 | |
| 36 | 8084 043 0810 | M4 x 8 | |
| 37 | 8050 050 1440 | M4 x 14 | 15CHSCREW |