



TENT SETUP INSTRUCTIONS

Ridgeline Tunnel Tent

(The product may look different from yours. It is for illustration purpose only.)

Before you begin

- Read all instructions before set up.
- Select a level site clear of rocks, branches, and other hard or sharp objects, to install your tent.
- **⚠ WARNING: Keep clear of overhead power lines.**
- Do not set up your tent under trees because of potential lightning strikes or falling tree limbs in inclement weather.
- **NOTICE:** Secure product with all ground stakes, guylines and fly attachments for optimal performance and to prevent property damage or personal injury.
- For best results in windy conditions, position narrow end of tent into the wind.
- Two people recommended for setup.

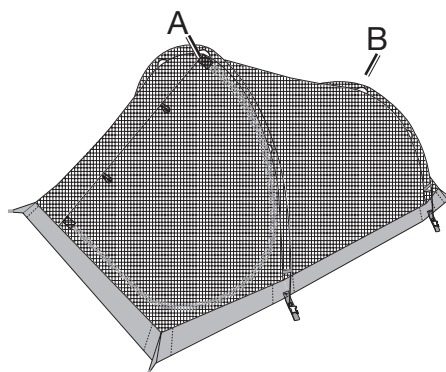
Things You Should Know

- Condensation is normal and IS NOT LEAKAGE. It can be minimized by providing good ventilation.
- Tree limbs, tree sap, bird droppings, or moisture steadily dripping off tree limbs can cause damage to the tent fabric and its coating.
- Do not store tents without drying it off thoroughly and brushing off caked dirt.
- Stakes should be removed by pulling on the stake itself. **NEVER PULL ON THE TENT TO REMOVE STAKES AS THIS COULD RESULT IN PROPERTY DAMAGE OR PERSONAL INJURY.**
- Prolonged exposure to the sun can seriously damage material and/or cause it to become discolored.

Pole List

A. Front Polex 1

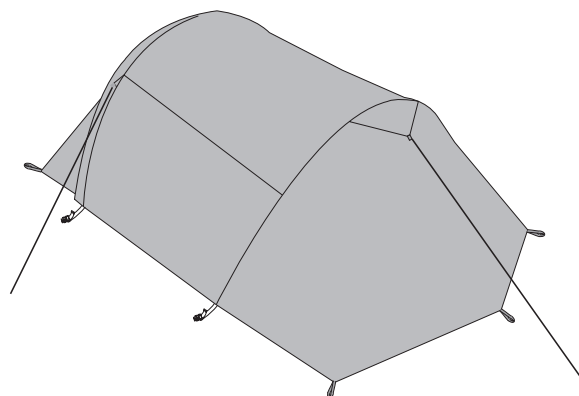
B. Rear Polex 1



Tent without rainfly



Front view of complete tent



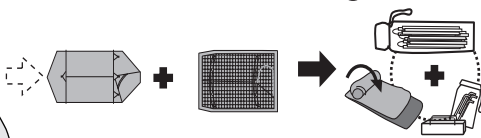
Rear view of complete tent

How to Store

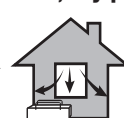
① Clean and dry



② Fold and roll

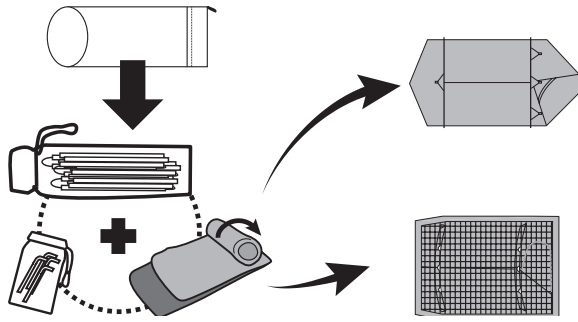


③ Cool, dry place

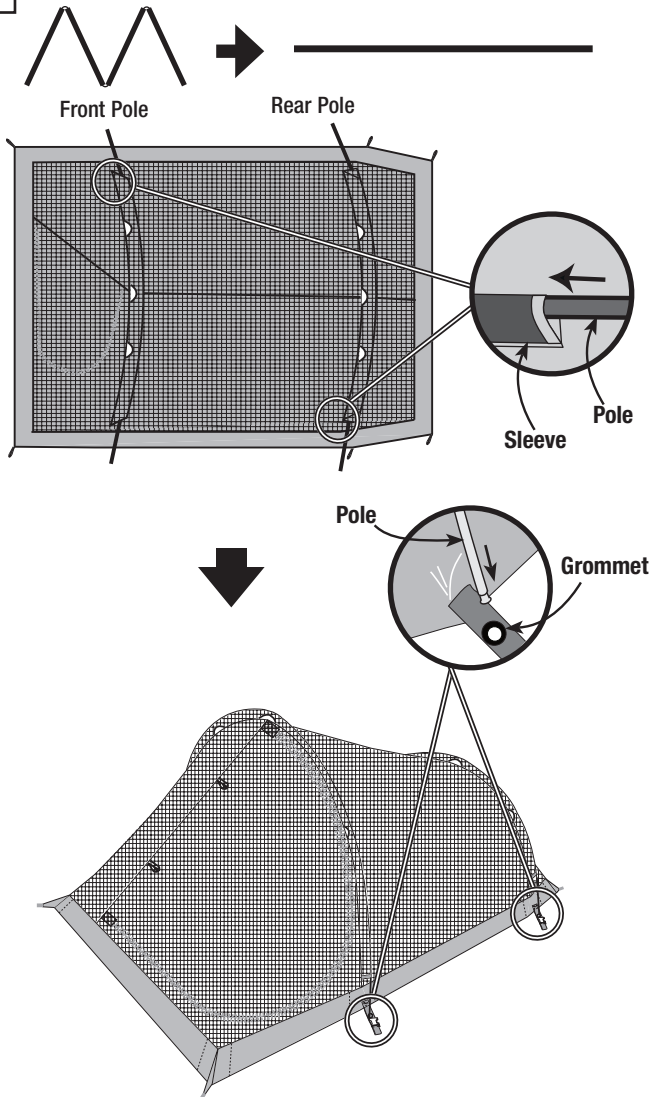


How to Set Up and Disassemble

1 LAYOUT & POSITIONING OF TENT



2 POSITIONING OF POLES AND CONNECT LEG POLES

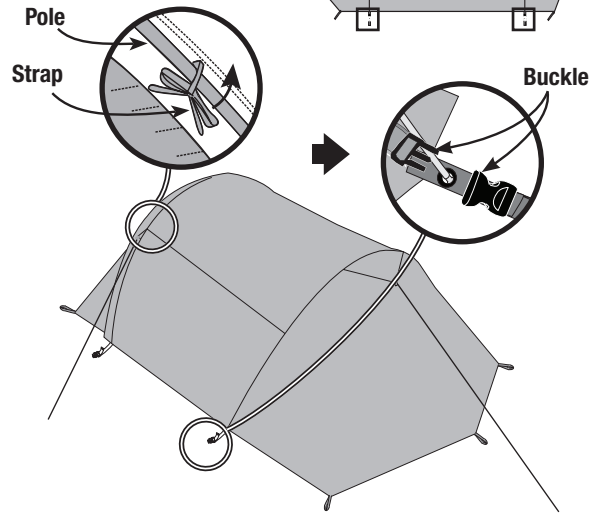


3 ATTACH RAINFLY

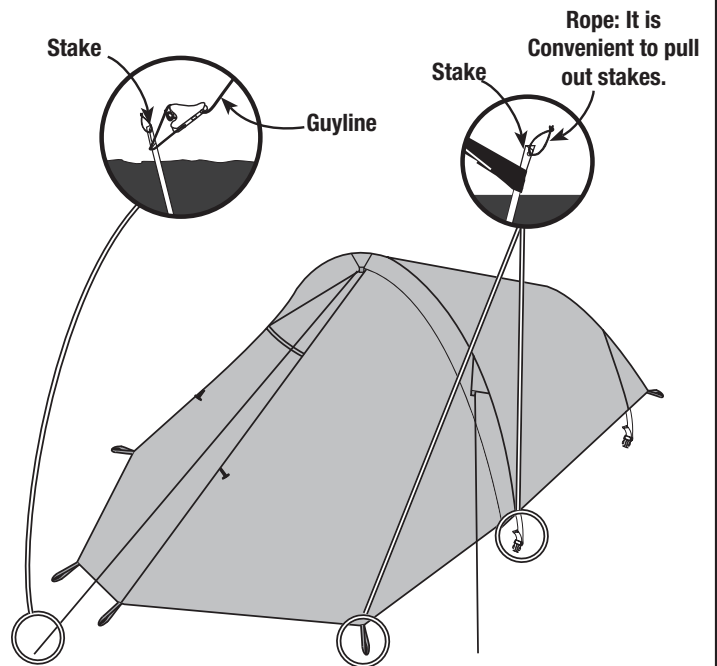
○ x Strap

□ x buckle

Underside of Rainfly



4 STAKE DOWN THE TENT



6 DISASSEMBLY

Follow these steps in reverse order to disassemble.

Coleman Brands Pty. Ltd.
Unit 5-6, 13 Lord Street,
Botany NSW 2019
Australia

Telephone: 1800 224 350
Email: customerservice@colemanaust.com.au
www.colemanaust.com.au

© 2017 The Coleman Company, Inc. All rights reserved.
Coleman®, , and  are registered trademarks of
The Coleman Company, Inc.

4010053484 (ECN20060939-04)