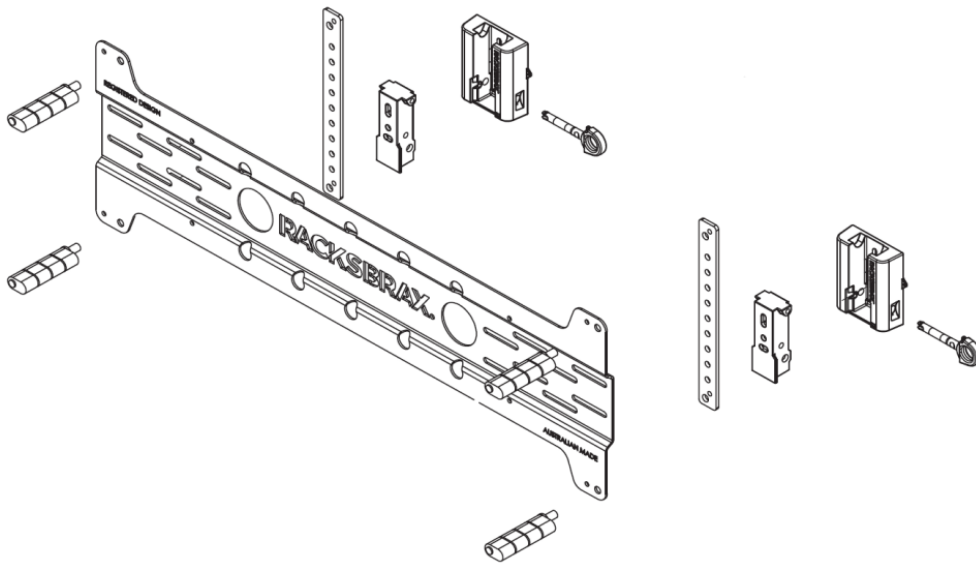


# RACKS BRAX.®



## Recovery Board Mounting Reckoner

*Find the correct RacksBrax mounting solution for your recovery boards.*

**FAST ON!  
FAST OFF!**

# RACKSBRAX™

RacksBrax have designed the **Accessory Plate (1874)** and the **Accessory Bars (8173)** to be used with a RacksBrax HD Hitch to mount your recovery boards on the side of your roof rack. Both enable fast loading or unloading. The Accessory Bars, used alone, with an HD Hitch or in concert with the Accessory Plate and HD Hitch, allow more clearance from your roof or doors.

This guide will help you determine whether you will need:

1. only the **Accessory Bars (8173)**; or
2. only the **Accessory Plate (8174)**; or
3. both **Accessory Plate (8173)** and **Accessory Bars (8174)**

A few things **BEFORE** using this guide ... What **STYLE** of roof racks do you have?

## PLATFORM-STYLE roof racks

**Examples:** Rhino-Rack® Pioneer Platform

- ✓ You **will need** a RacksBrax HD Hitch Standard (8159) (at a minimum)
- ✓ You **will need** **Accessory Bars (8173)**
- ✗ You **will not** need an **Accessory Plate (8174)**

# OR

## BAR-STYLE and/or TRAY-STYLE roof racks

**Examples:** Rhino-Rack® Bars (Vortex, Heavy Duty, Euro, etc.)  
Thule® Bars (Evo WingBar, ProBar, etc.)  
ARB® Trays (Deluxe, Steel Cab, Trade)

- ✓ You **will need** a RacksBrax HD Hitch Standard (8159) (at a minimum)
- ? You **may need** **Accessory Bars (8173)**
- ✓ You **will need** an **Accessory Plate (8174)**

## STEPS TO FITTING THE RACKSBRAX ACCESSORY PLATE (ON ROOF BARS AND SOME TRAYS)

### A. **PARK**

Ensure your vehicle is on level ground.

### B. **FOR ROOF RACK BARS**

Determine which roof rack bracket fits your roof rack and where it will sit on your roof rack bar. The bracket will need fastener hole centres between 40 and 53mm centres and should fit as close to the end of the bar as possible. Brackets should be a minimum 5mm thick and 40mm wide.

### C. **FOR TRAY-STYLE ROOF RACKS**

If you have a "Tray" style of roof rack, some tray styles such as the ARB® Deluxe Roof Racks, ARB® Steel Cab Racks and ARB® Trade Racks will not require a bracket. The HD Hitch can be fitted direct to the tray side rail supports.

### D. **MEASURE DISTANCE "X"**

Measure the centre to centre roof rack bar spacing, "X" (see **Figure 1**, on **page 3**) or tray side rail supports and note it down below.

### E. **FIT YOUR RACKSBRAX HD HITCHES**

Fit a set of RacksBrax HD Hitches (e.g. Standard 8159) to the chosen bracket (or tray-side rail support) following the instructions provided with the HD Hitch.

### F. **MEASURE DISTANCE "Z"**

Measure vertical distance, "Z", from a point on the outside face of the bracket (or tray side rail supports) at the lowest bracket fastener point to where that vertical line intersects an obstruction, typically the vehicle roof or (more likely) the highest point on the vehicle door (refer to **Figure 2**, on **page 3**) and note it down below.

### G. **FIND THE RIGHT SLOT PAIR ON THE RACKSBRAX ACCESSORY PLATE**

Using **Table 1** (on **page 4**) and dimension "X" (**Step D**) to determine which "Slot Pair" (1 or 2) (see **Figure 3**, on **page 4**) will suit your roof rack/rig configuration. These are the horizontal slots that align with your HD Hitch "Holder" fastener holes. Note your Slot Pair number below.

The Slot Pairs are defined in **Figure 3** (on **page 4**). Dimension Z is the distance from the lower bracket fastener to the vehicle roof or door (**Step F** above).

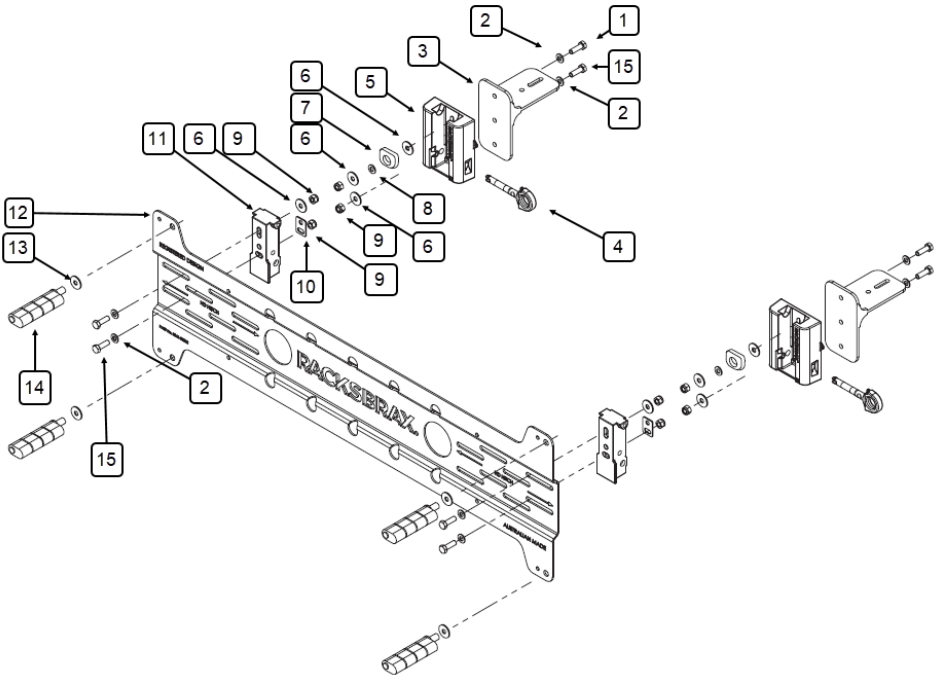
My **X** measurement = \_\_\_\_\_ mm

My **Z** measurement = \_\_\_\_\_ mm

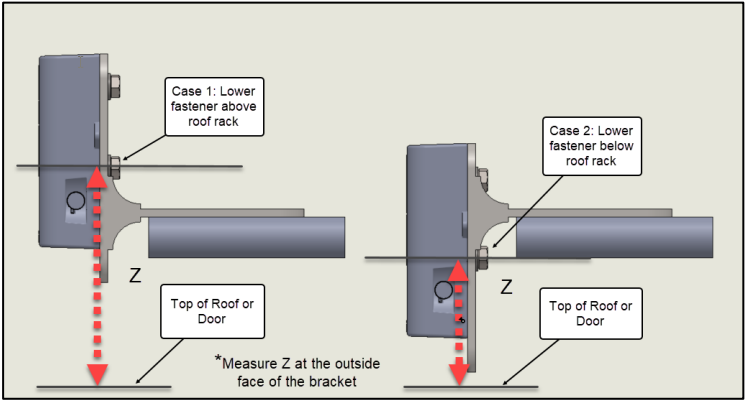
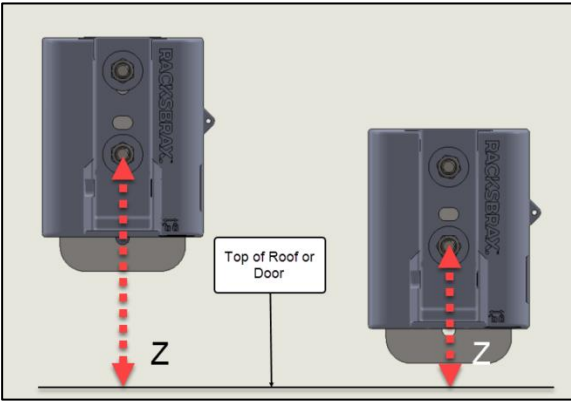
My Slot Pair

**1 OR 2**

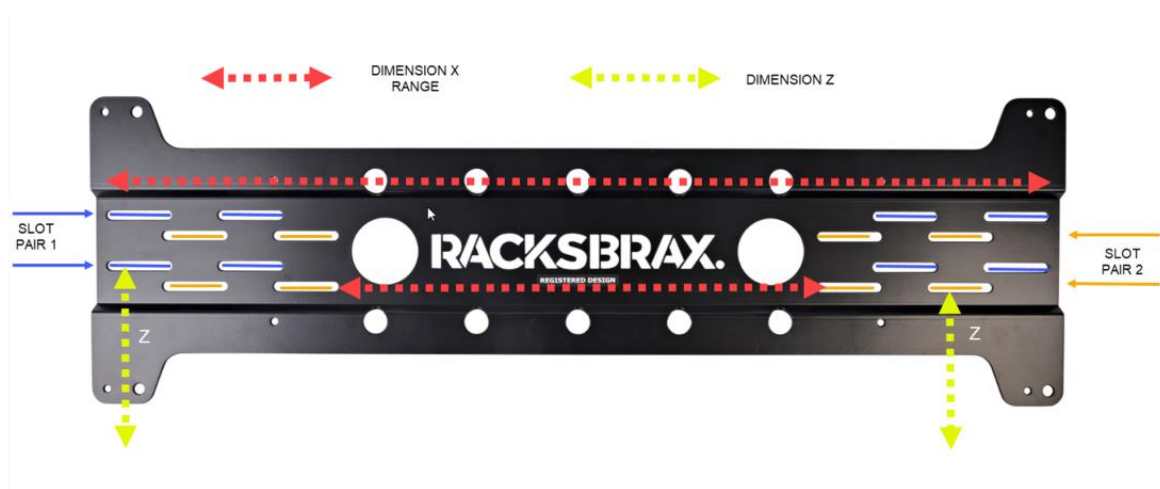
**FIGURE 1** RacksBrax HD Hitch and RacksBrax Accessory Plate including Recovery Board Mounting Pins.



**FIGURE 2** Distance "Z", the distance from the lower bracket fastener to the vehicle door.



**FIGURE 3** Determining which Slot Pair your roof racks are placed on



**TABLE 1** Which Slot Pair will my roof rack bar spacing fit on my Accessory Plate?

"X" Roof rack bar spacing width (mm)	Corresponding Slot Pair on Accessory Plate
920 – 811**	1
810	1 or 2
809 – 701	2
700	1 or 2
699 – 591	1
590	1 or 2
589 – 480	2

**\*\* NOTE** In situations where:

- You are using MAXTRAX® Mounting Pins; **AND**
- Your roof rack bar spacing is between 900mm and 830mm; **AND**
- You are using the Accessory Bars with the Accessory Plate;

**YOU WILL NEED TO USE THE SPACER WASHERS PROVIDED.**

At each of the 4 bolted connections between the Accessory Plate and the Accessory Bar, insert 2 of the 24mm diameter spacer washers on each bolted connection to separate the Accessory Plate from the Accessory Bars by 4mm (total of 8 washers). 2 of the 8 spacer washers are supplied with the Accessory Plate and 6 with the Accessory Bars.

The MAXTRAX® Mounting Pin M10 thread will also need to be **shortened to 15mm below** its nylon flange. This is to ensure the MAXTRAX® M10 washer and insert nut fit and the threaded end of the MAXTRAX® Mounting Pins clears the Accessory Bars.

## HOW SHOULD I MOUNT MY ACCESSORY PLATE?

Using **your measurements you've recorded on page 2** (i.e. X, Z and Slot Pair) refer to **Table 2** and **Figure 4** (below) to determine:

- The orientation of your Accessory Plate when it is mounted; and
- The possible need for **Accessory Bars** if there is not enough clearance between the vehicle roof/door and the Accessory Plate.

**TABLE 2** Roof or door clearance, Accessory Plate orientation and whether Accessory Bars are needed.

"Z" Distance (mm)	Slot Pair 1 (with a recommended 30mm clearance between mounted Plate/boards and door/roof)	Slot Pair 2 (with a recommended 30mm clearance between mounted Plate/boards and door/roof)
50	Red	Red
↓	Red	Red
160	Red	Red
165	Red	Green
170	Amber	Green
180	Amber	Green
190	Green	Green
↓	Green	Green
280	Green	Green

**FIGURE 4** Determining the orientation and whether you need Accessory Bars (8173).

